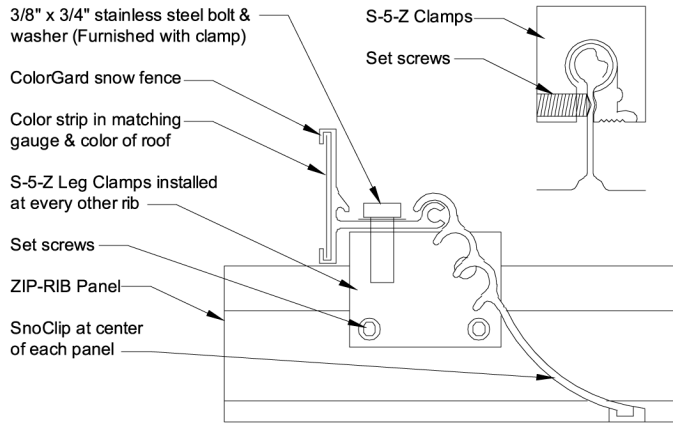


**ZIP-RIB®**

**S-5-Z ColorGard™ Snow Fence System**



**Applications**

Snow fence system for use with the ZIP-RIB roof system. Mounts directly to the panel ribs with set screws eliminating through fastener attachments. Extremely high holding capacity used to prevent damage caused by sliding ice and snow.

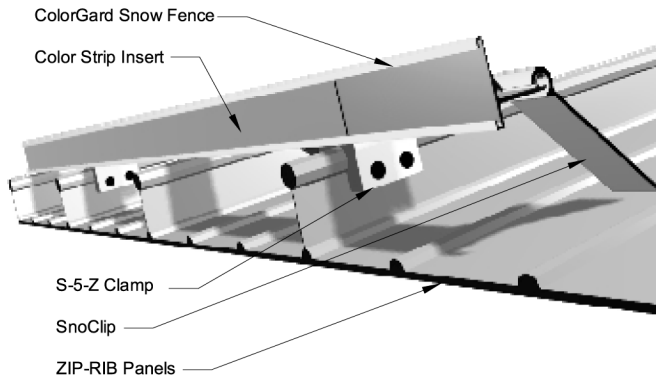
Also available for Interlock, #305 and #306 panel systems.

Other applications for the S-5-Z™ leg clamp include guy wires, signs, rooftop walkways and solar panels.

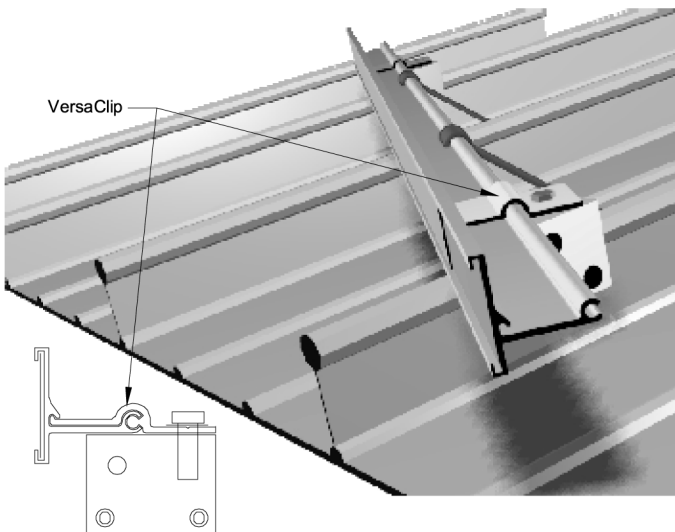
**Assembly**

Attach S-5-Z™ leg clamps to every other panel rib with attached set screws. Cut ColorGard snow fence to size required and bolt to the leg clamps. Install the 2" color strip to match the roof and one SnoClip at the center of each panel. Contact M&E for installation instructions.

Some standard components may not be suitable for all applications. Contact sales & engineering for more information.



**Installed Parallel to Eave**

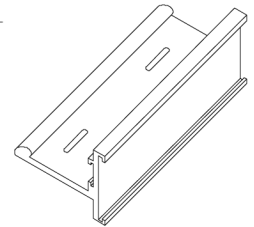


**Installed Diagonal to Eave or Parallel to Valley**

**Components**

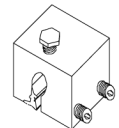
**ColorGard™**

Snow fence which accommodates a 2" wide pre-finished strip to match the roof system.



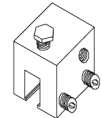
**S-5-Z™ Leg Clamp**

Aluminum block for use with ZIP-RIB panel system.



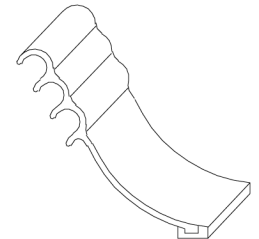
**S5™ U-HD Clamp**

Aluminum block for use with Interlock, #305 and #306 panel systems.



**SnoClip**

Attached to ColorGard to prevent sliding of snow beneath the fence.



**VersaClip**

Used at uneven panel seam spacing such as valleys or diagonal eaves

